















SPECIALTY QUICK REFERENCE

SPECIALTY QUICK REF.

 <p>3006 MICROSWITCH</p>	 <p>5007 MICROSWITCH</p>	
 <p>8639 ROOF HATCH SWITCH</p>	 <p>3010 RELAY</p>	
 <p>3029 FLASHER</p>	 <p>5189 STOP ARM PIGTAIL</p> <p>1156DC STOP ARM BULB</p>	
 <p>1002 STOP ARM, STROBE BULB</p>	 <p>7122-7K CLUTCH DRIVER FOR 7-SERIES</p>	
 <p>T4216 STOP ARM, FLASHTUBE</p>	 <p>5008K CLUTCH ASSY FOR 5 SERIES</p>	
 <p>5030 CLUTCH DRIVER CLIP</p>	 <p>5031 CAM</p>	
 <p>5024 CLUTCH DRIVER CAM</p>	 <p>5056 CLUTCH DRIVER FOR 5 SERIES</p>	

SPECIALTY QUICK REFERENCE

SPECIALTY QUICK REF.



8100
COMPLETE MAGNET
KIT FOR CROSSING
GATE



8115
MAGNET ONLY FOR
CROSSING GATE



8129
MAGNET KIT FOR
THOMAS SAFETYLINER



8122
MAGNET KIT FOR
INTERNATIONAL/NAV



8118
MAGNET
ONLY



71049
MAGNET
WITH PLATE

71052
PLATE ONLY



4411-002
STOW BRACKET
KIT



71018
STOW BRACKET
FOR CROSSING
GATE BLADE



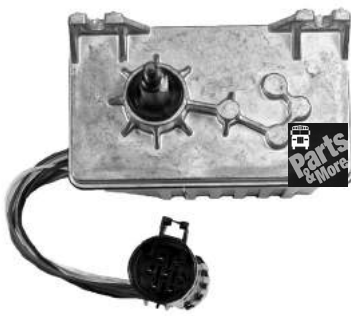
71223
STOW BRACKET



8110
LATCH PLATE
ASSY

SPECIALTY QUICK REFERENCE

SPECIALTY QUICK REF.



7178K

NEW DEFENDER
MOTOR FOR
CROSSING GATE &
STOP ARMS



7014-7K
7 SERIES
MOTOR



5172K
5 SERIES MOTOR
W/HARNESS



7120-7K
7 SERIES
CONTROL
MODULE



7129
7 SERIES
CONTROL
MODULE

(This replaces the
6120 Series
Control Module.)



5155K
MODULE
KIT FOR
5.5 SERIES



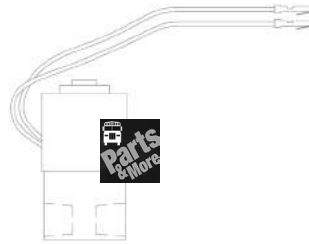
5151
5-SERIES STOP
ARM MODULE

SPECIALTY QUICK REFERENCE

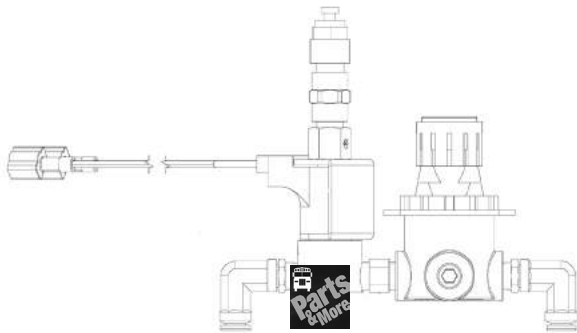
SPECIALTY QUICK REF.



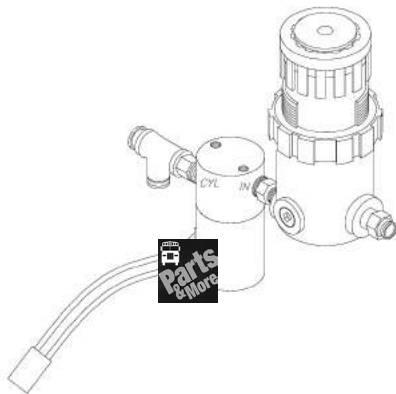
1660
SOLENOID
& REGULATOR
1680
SOLENOID
1690
REGULATOR



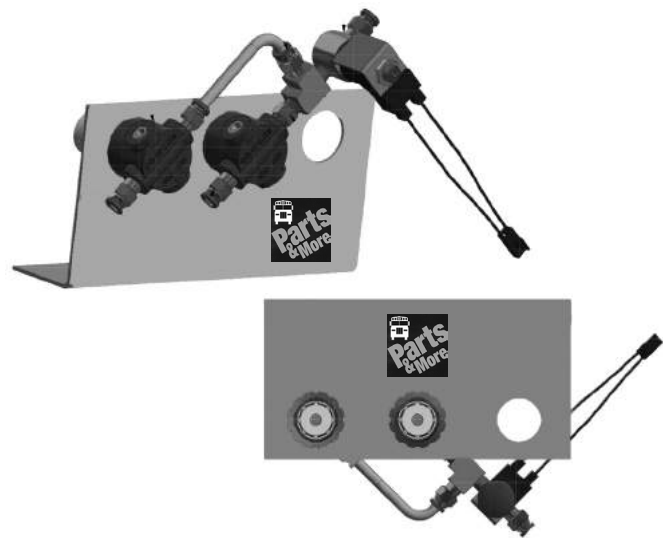
1651
SOLENOID
W/CONNECTOR



1639
SOLENOID WITH REGULATOR
FITS IC BUSES



1673
SOLENOID WITH REGULATOR
FITS THOMAS BUSES
TBB119623



1618
DOUBLE REGULAR
AND AIR FOR THOMAS
BUSES TBB177306

SPECIALTY QUICK REFERENCE

SPECIALTY QUICK REF.



1975-030
HANDLE
REPLACEMENT
KIT



1975-034
SWITCH KIT
FOR ROOF
HATCH



1975-036
SWITCH KIT
FOR ROOF
HATCH



8814
HANDLE FOR
ROOF HATCH



8812
CAM FOR ROOF
HATCH



8777
LOCK FOR
ROOF HATCH



8966
HANDLE FOR
ROOF HATCH



8930
DECAL KIT
FOR ROOF
HATCH

SPECIALTY QUICK REFERENCE

SPECIALTY QUICK REF.



106
DIAPHRAM

106ASSY
DIAPHRAM W/PLATES



170
OUTER
DIAPHRAM
PLATE

171
INNER
DIAPHRAM
PLATE



2196
STOP ARM & AIR
CROSSING GATE CABLE



2198
STOP ARM & AIR CROSS-
ING GATE SPRING



430-7K
SPECIALTY
STOP ARM,
L.E.D.
LIGHT KIT



2183
SPRING



194K
LENS KIT



548
STOP ARM DECAL



176
BEARING
INNER



166
BEARING
OUTER



144
PIN



177
BUMPER



142
NUT



2114
PIN

SPECIALTY QUICK REFERENCE



2166
HINGE BRACKET



2167
HINGE BRACKET



2169
HINGE BRACKET



7168
HINGE BRACKET



T4418
MOUNTING BLOCK FOR
CROSSING ARM BLADE



28174
HINGE ARM FOR AIR
CROSSING GATE



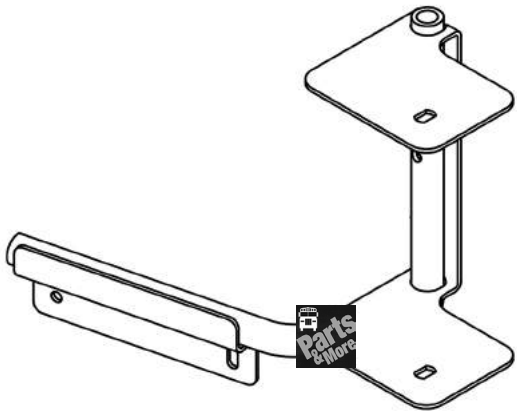
28158
HINGE ARM FOR AIR
CROSSING GATE



28171K
ARM FOR AIR
CROSSING GATE

SPECIALTY QUICK REF.

SPECIALTY QUICK REFERENCE



71035
HINGE ARM FOR ELECTRIC
CROSSING GATE



28409
HINGE FOR CROSSING
GATE



28176
CROSSING GATE
COVER



28177
CROSSING GATE
COVER

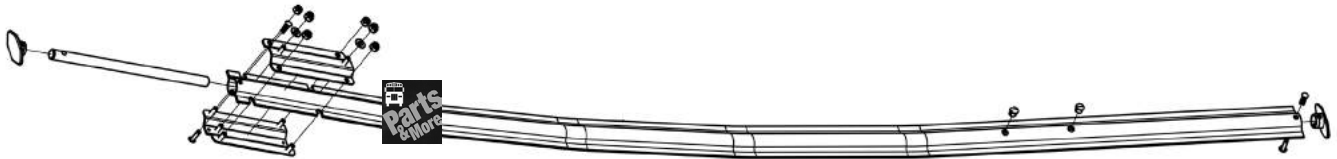
SPECIALTY QUICK REF.

SPECIALTY QUICK REFERENCE



68150

YELLOW BLADE W/PLATE, AIR &
ELECTRIC



71063

AIR AND ELECTRIC CROSSING GATE
BLADE. FITS MOSTLY BLUE BIRD



68152

YELLOW BLADE W/BRACKET, FREIGHTLINER, AIR

68151

YELLOW BLADE W/BRACKET, FREIGHTLINER, ELECTRIC

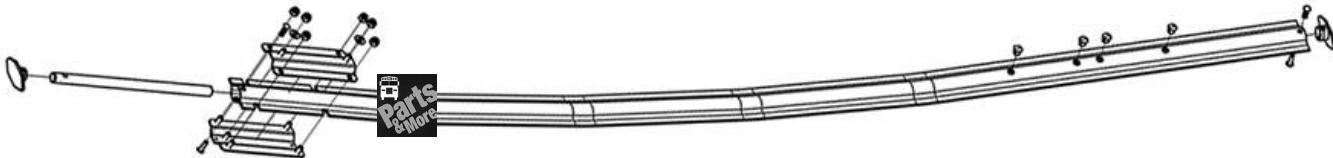
SPECIALTY QUICK REF.

SPECIALTY QUICK REFERENCE



68177
YELLOW POLY ROD ONLY

68177K
YELLOW POLY ROD WITH
STOW BRACKET



71020
COMPLETE CROSSING GATE BLADE

S
P
E
C
I
A
L
T
Y

Q
U
I
C
K

R
E
F.

SPECIALTY QUICK REFERENCE

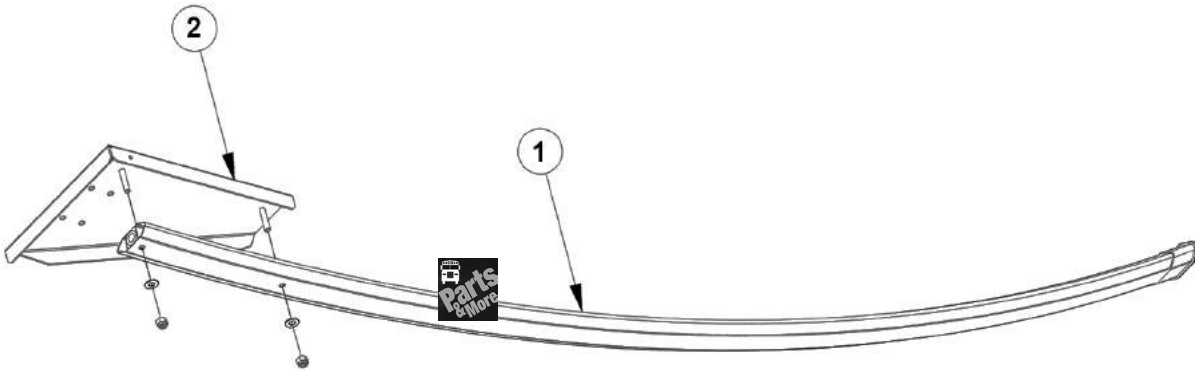
SPECIALTY QUICK REF.



68196 BLADE, 65" LONG
68197 BLADE, 72" LONG



68158 BLADE ASSY

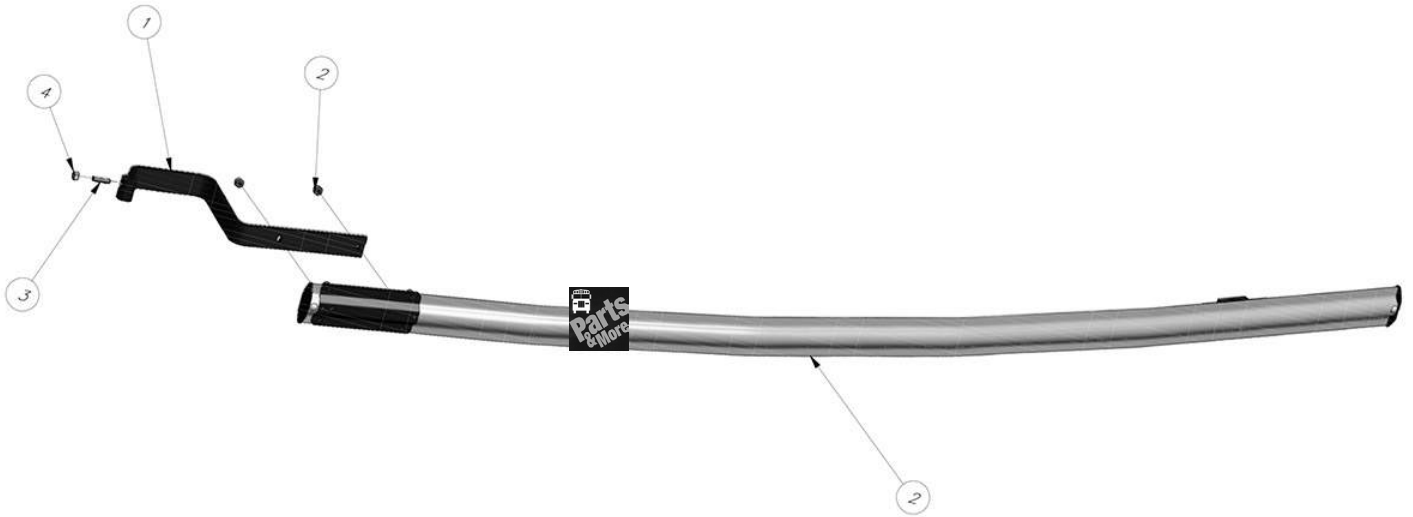


78150 CURVED CROSSING GATE BLADE COMPLETE

- (1) T4406-005 BLADE, CAP AND MOUNTING BLOCK
- (20) 127 BRACKET ONLY

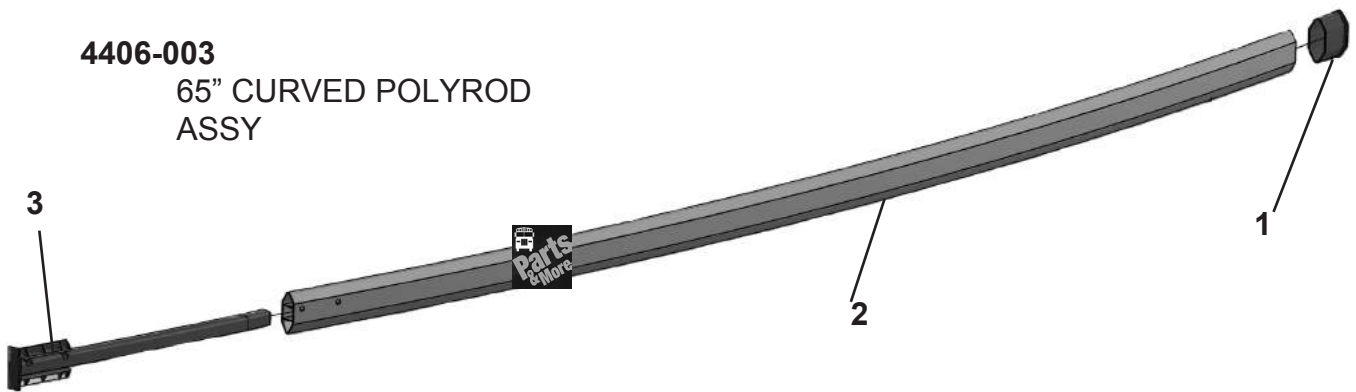
SPECIALTY QUICK REFERENCE

SPECIALTY QUICK REF.



- 28213K** COMPLETE BLADE ASSY
 (1) 28178 HINGE ARM
 (2) 28213 BLADE ONLY
 (3) 156 SCREW 1/4-28
 (4) 9044 NUT 1/4-28

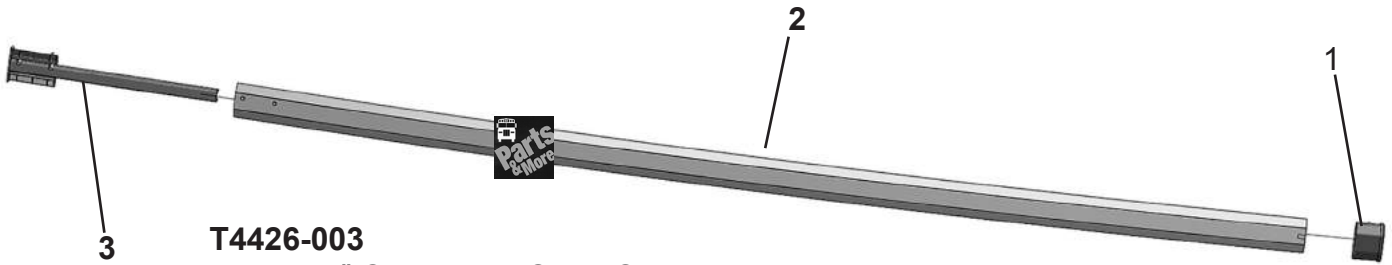
4406-003
 65" CURVED POLYROD
 ASSY



ITEM	QTY	PART #	DESCRIPTION
1	1	4408	VINYL END CAP FOR ROD
	1	4406-003	BLADE, END CAP, MTG BLOCK
	1	4406	BLADE W/NO HOLES
2	1	4406-001	BLADE WITH END CAP
3	1	4418	EXTRUSION MOUNTING BLOCK

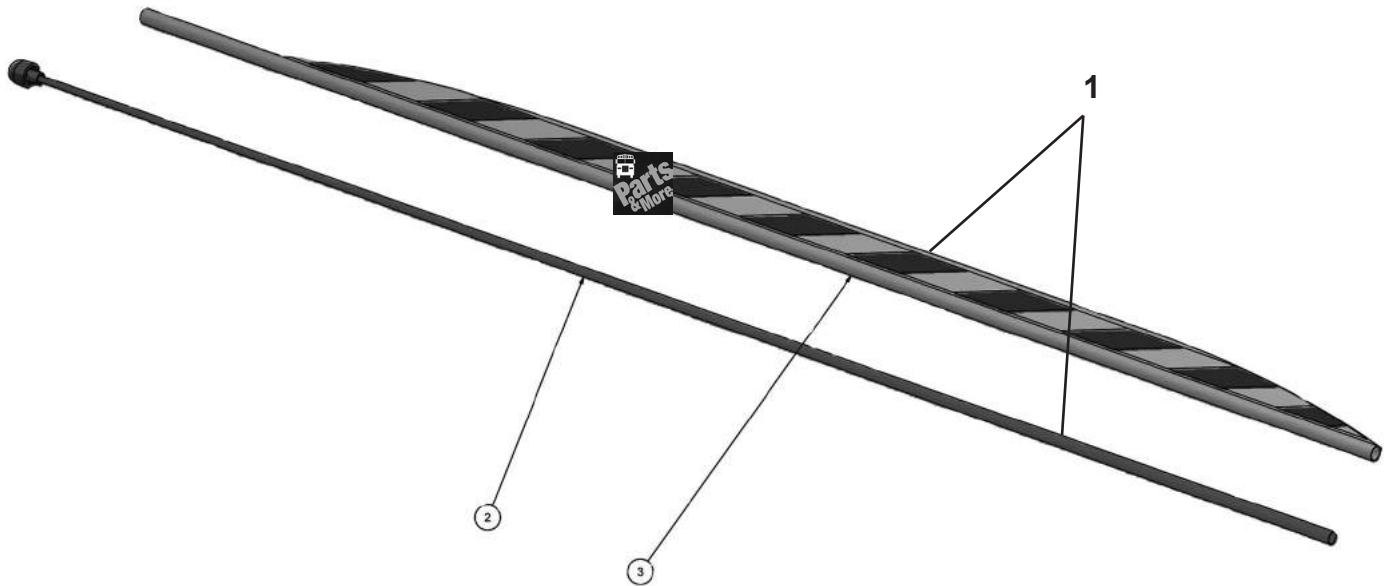
SPECIALTY QUICK REFERENCE

SPECIALTY QUICK REF.



T4426-003
70" CURVED POLYROD
ASSY.

ITEM	QTY	PART #	DESCRIPTION
1	1	T4408	VINYL END CAP FOR ROD
2	1	T4426	70" LONG EXTRUSION
3	1	T4418	EXTRUSION MOUNTING BLOCK



ITEM	QTY	PART #	DESCRIPTION
1	1	4000-410	ARM ASSY FOR THOMAS C2
2	1	4462-001	POLE WITH END CAP
3	1	4460-001	CENTER FLAP