

# WIPER ACCESSORIES

W  
I  
P  
E  
R  
S  
&  
A  
C  
C  
E  
S  
S  
O  
R  
I  
E  
S



**LK721024S**  
8 1/2" CONNECTING LINK



**LK721001S**  
4 7/16" CONNECTING LINK



**LK721014AS**  
3 3/8" CONNECTING LINK



**BG7275**  
CONNECTING  
LINK BUSHING



**1781550**  
CONNECTING LINK  
RETAINER CLIP



**GW-103**  
WASHER NOZZLE



**FI50364**  
WASHER NOZZLE



**5269840**  
WASHER NOZZLE



**NZ125**  
WASHER NOZZLE



**201220**  
WASHER NOZZLE



**TRI88171757**  
WASHER NOZZLE



**LE22001**  
CRANKARM



**NT721017S**  
KNURLED DRIVER, 3/8" SHAFT

**NT721016S**  
KNURLED DRIVER, 5/16" SHAFT



**PM3834**  
NUT



**PM1957**  
CRANKARM FOR BLUE BIRD  
TC2000 1992-PRESENT

**PM4465**  
CRANKARM FOR CONVENTIONAL  
1992-PRESENT



**4851940**  
WIPER PIVOT  
ADAPTOR



**75600-04**  
WIPER SWITCH, 7 WIRES




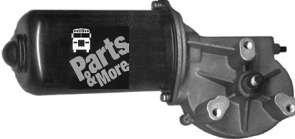




**75236**  
WIPER SWITCH, 2  
SPEED, 10 TERMINAL  
**PM2590** KNOB



**SW721025AS**  
WIPER SWITCH,  
2 SPEED, 5 TERMINAL  
**PM2590** KNOB




# WIPER ACCESSORIES

 <p><b>75600-01</b> WIPER SWITCH, CONTROLS 2 MOTORS</p>	 <p><b>75601-15</b> WIPER SWITCH, 8 TERMINAL (REPLACES) 75601-08, CONTROLS 2 MOTORS</p>
 <p><b>437192010</b> AMTRAN/IC TRANSIT WIPER MOTOR, 2000 &amp; UP</p>	 <p><b>6565220</b> WIPER MOTOR, RIGHT OR LEFT HAND, SPLINE SHAFT</p>
 <p><b>J652</b> WIPER MOTOR, THOMAS</p>	 <p><b>433854001</b> WIPER MOTOR, 5 TERMINAL, AMTRAN</p>

## WIPER SHAFTS



	A	B	C	D
SH721201AS	2 3/4"	1"	1 3/4"	3/8"
SH721202AS	3 3/4"	2"	1 3/4"	3/8"
SH721203AS	4 3/4"	3"	1 3/4"	3/8"
SH721206AS	3 3/4"	2"	1 3/4"	5/16"
SH721207AS	4 3/4"	3"	1 3/4"	5/16"
SH721208AS	2 3/4"	1"	1 3/4"	5/16"
<b>6271140</b>	<b>3"</b>	<b>1 1/4"</b>	<b>1 5/8"</b>	<b>5/16"</b>

	<p><b>5218940</b> 24" WIPER ARM <b>6701440</b> 26" WIPER ARM <b>6701540</b> 28" WIPER ARM</p>
	<p><b>65009912</b> 28" WIPER ARM ASSY., FITS THOMAS SAF-T-LINER 2000 TO PRESENT <b>65008930</b> 27" WIPER ARM ASSY., FITS THOMAS SAF-T-LINER UP TO 2000</p>
	<p><b>65004000</b> 16" WET WIPER ARM, FITS THOMAS CONVENTIONAL 1990 TO PRESENT</p>

# WIPER ACCESSORIES

W  
I  
P  
E  
R  
S  
&  
A  
C  
C  
E  
S  
S  
O  
R  
I  
E  
S



- 5217040 16" WIPER BLADE
- 5217140 18" WIPER BLADE
- 5217240 20" WIPER BLADE
- 5191640 22" WIPER BLADE
- 5214740 24" WIPER BLADE
- 5214940 28" WIPER BLADE
- 91-28 28" WIPER BLADE WITH TWO DIFFERENT SIZE HOLES



- TBB118706**  
24" WIPER BLADE, THOMAS C2, RIGHT SIDE
- TBB118707**  
28" WIPER BLADE, THOMAS C2, LEFT SIDE



- 51-16 16" FLAT BLADE
- 51-18 18" FLAT BLADE
- 51-20 20" FLAT BLADE



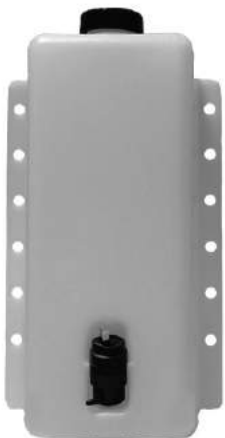
- AL300** WIPER ARM 15" - 19"



- 1349950**  
RESERVOIR
- PM5541**  
PUMP ONLY
- PM2922**  
CAP ONLY



- 065400**  
RESERVOIR
- PM4770**  
PUMP ONLY
- PM8113**  
CAP ONLY



- 065605**  
6 QUART  
RESERVOIR  
8.62"L X 4.17"W X 15.29" H



- PM2101**  
RESERVOIR,  
FOR BLUE  
BIRD VISION
- 060210-1480**  
PUMP

# WIPER ACCESSORIES



**PM1164**  
RESERVOIR

**PM5541**  
PUMP ONLY

**PM2922**  
CAP ONLY



**3604375C1**  
WASHER PUMP FOR IC  
RESERVOIR



**61201523**  
ELECTRONIC  
WIPER  
MODULE



**52004973**  
WIPER  
CONTROL  
MODULE

W  
I  
P  
E  
R  
S  
&  
A  
C  
C  
E  
S  
S  
O  
R  
I  
E  
S